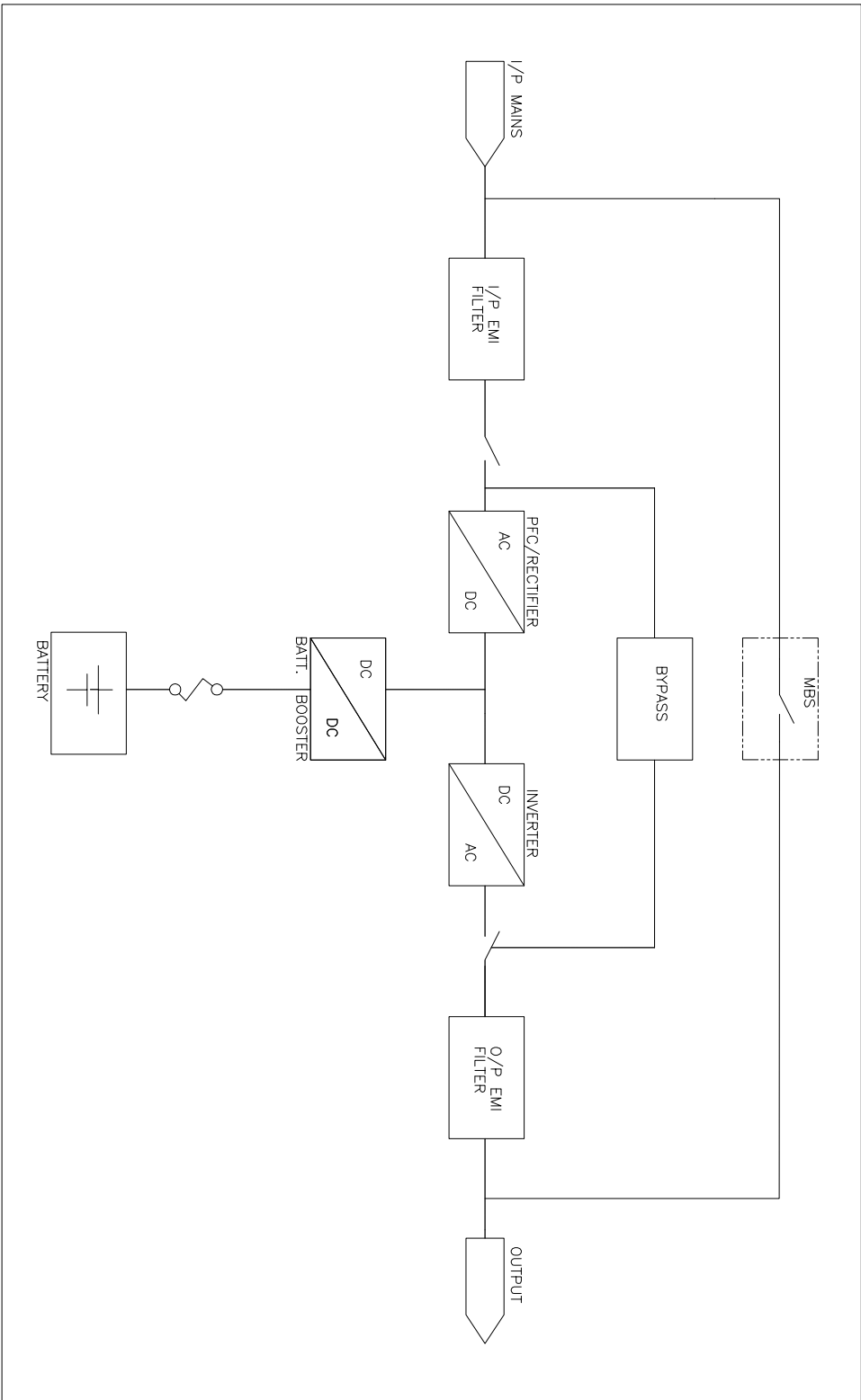


# CONNECTION AND FUNCTIONAL DIAGRAM



**UPS RATING- 6KVA**

**MODEL: Eaton- DX-RT**

<b>METRIC</b>		<b>EATON CORPORATION</b>		<b>EATON</b>	
DRAWING NO: 2-PROJ-014		DATE: 10/20/2010		SCALE: A0	
DESCRIPTION:		PROJECT:		SHEET: 1 OF 1	
DRAWN:	CHEMANS	FIELD:	NAME:	REVISION:	SCALE:
REVIEWED:	PANKAJ P	DATE:	SLD Eaton- DX-RT 6KVA	STATE:	4:1
DATE:		PROJECT:	[Convertible with EBM System]		
APPROVED:		DATE:			

NOTICE: This drawing is the property of Eaton Corporation and is not to be used, copied, or reproduced without the prior written consent of Eaton. The use of this drawing is limited to the project and location specified. Eaton Corporation is not responsible for any errors or omissions in this drawing. © 2010 Eaton Corporation. All rights reserved.