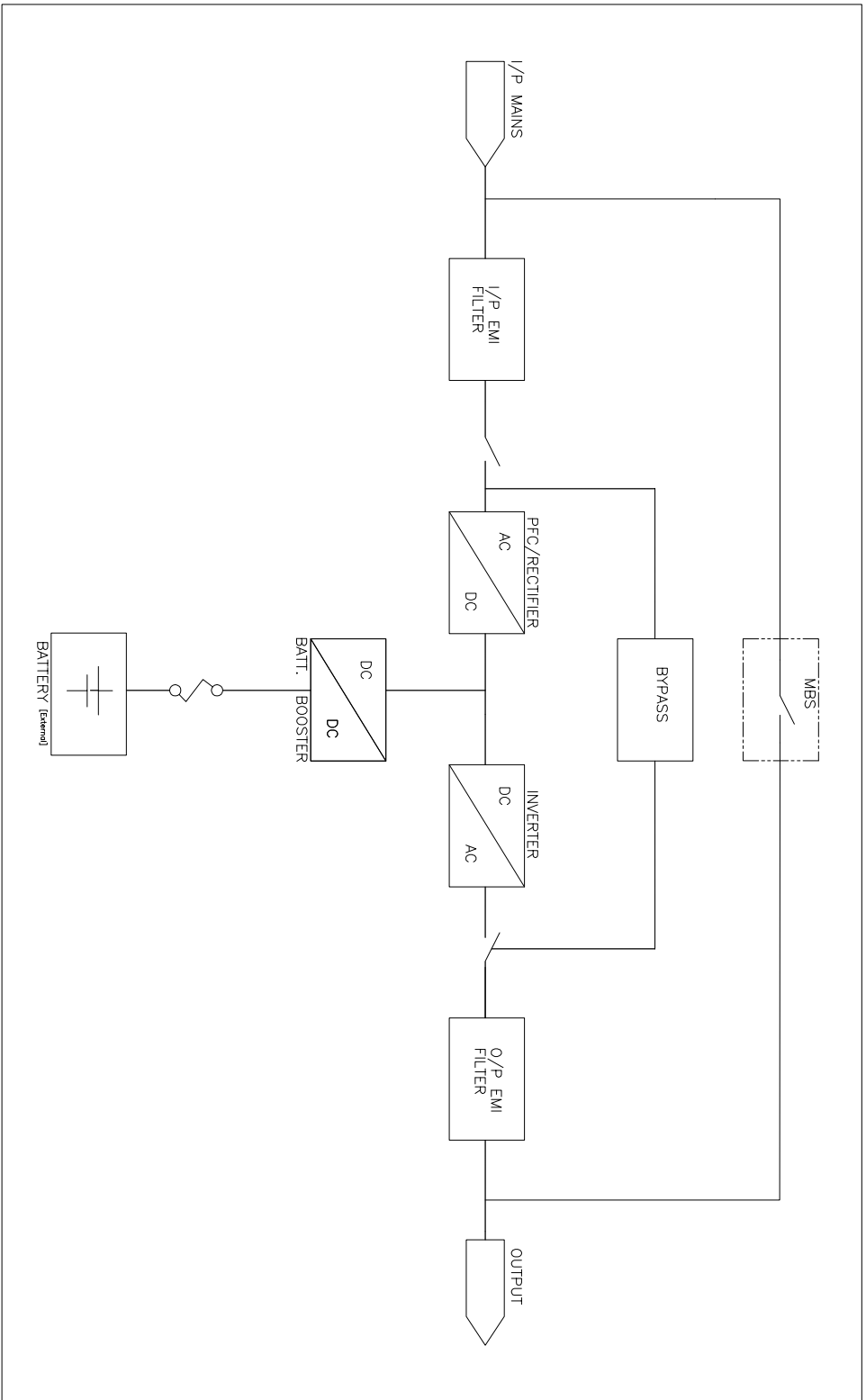


CONNECTION AND FUNCTIONAL DIAGRAM



UPS RATING- 6KVA

MODEL: 9E-IN [XL]

EATON CORPORATION



METRIC **EATON CORPORATION**

DESCRIPTION:

DRAWN:	CHEMUR	FIELD:	NAME:
REVIEWED:		DATE:	SLD Eaton-9E-IN 6KVA
DESIGNED:	PANKAJ P	PROJECT:	Internal Battery System
CHECKED:		DATE:	
APPROVED:		DATE:	

NOTICE: EATON CORPORATION, EATON CORPORATION AND EATON CORPORATION ARE THE REGISTERED TRADEMARKS OF EATON CORPORATION. ALL RIGHTS RESERVED. EATON CORPORATION IS NOT RESPONSIBLE FOR THE CONTENTS OF THIS DOCUMENT. THE INFORMATION CONTAINED HEREIN IS THE PROPERTY OF EATON CORPORATION AND IS NOT TO BE REPRODUCED OR TRANSMITTED IN ANY FORM OR BY ANY MEANS, ELECTRONIC OR MECHANICAL, INCLUDING PHOTOCOPYING, RECORDING, OR BY ANY INFORMATION STORAGE AND RETRIEVAL SYSTEM. EATON CORPORATION IS NOT RESPONSIBLE FOR THE CONTENTS OF THIS DOCUMENT. THE INFORMATION CONTAINED HEREIN IS THE PROPERTY OF EATON CORPORATION AND IS NOT TO BE REPRODUCED OR TRANSMITTED IN ANY FORM OR BY ANY MEANS, ELECTRONIC OR MECHANICAL, INCLUDING PHOTOCOPYING, RECORDING, OR BY ANY INFORMATION STORAGE AND RETRIEVAL SYSTEM. EATON CORPORATION IS NOT RESPONSIBLE FOR THE CONTENTS OF THIS DOCUMENT.