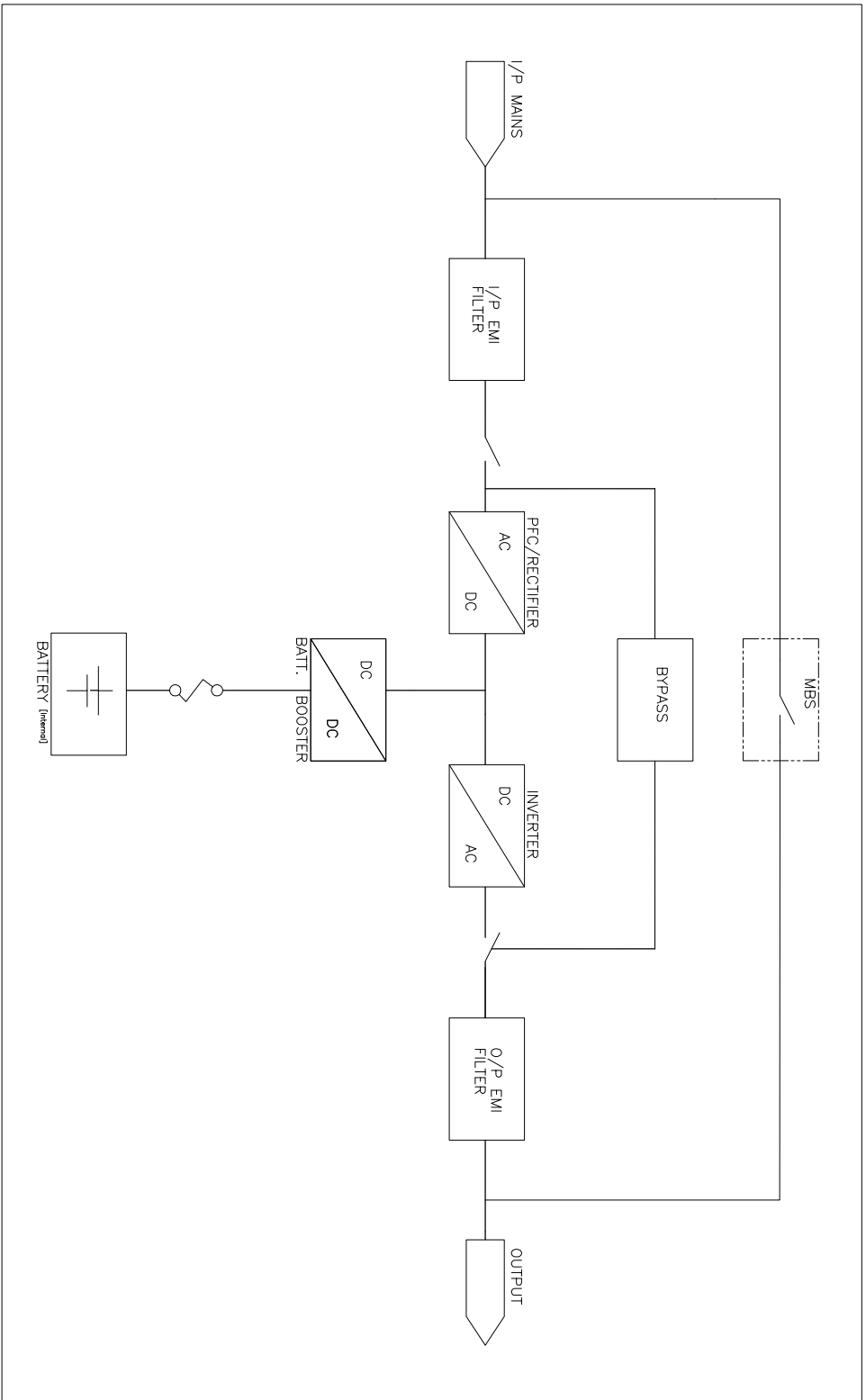


CONNECTION AND FUNCTIONAL DIAGRAM



UPS RATING- 10KVA

MODEL: 9E-IN

METRIC		EATON CORPORATION	EATON
<p>CONNECTIONS, DIMENSIONS, WEIGHTS, AND TOLERANCES IN RED INDICATE THAT THE DIMENSIONS ARE NOT TO BE USED FOR FABRICATION.</p>			
DESCRIPTION:			
DRAWN	CHEMNER	FIELD	NAME:
REVIEWED			SLD Eaton-9E-IN 10KVA
DATE	08/01/2018	DATE	(Internal Battery System)
SCALE	1:1	SCALE	1:1
SHEET	1 OF 1	SHEET	1 OF 1