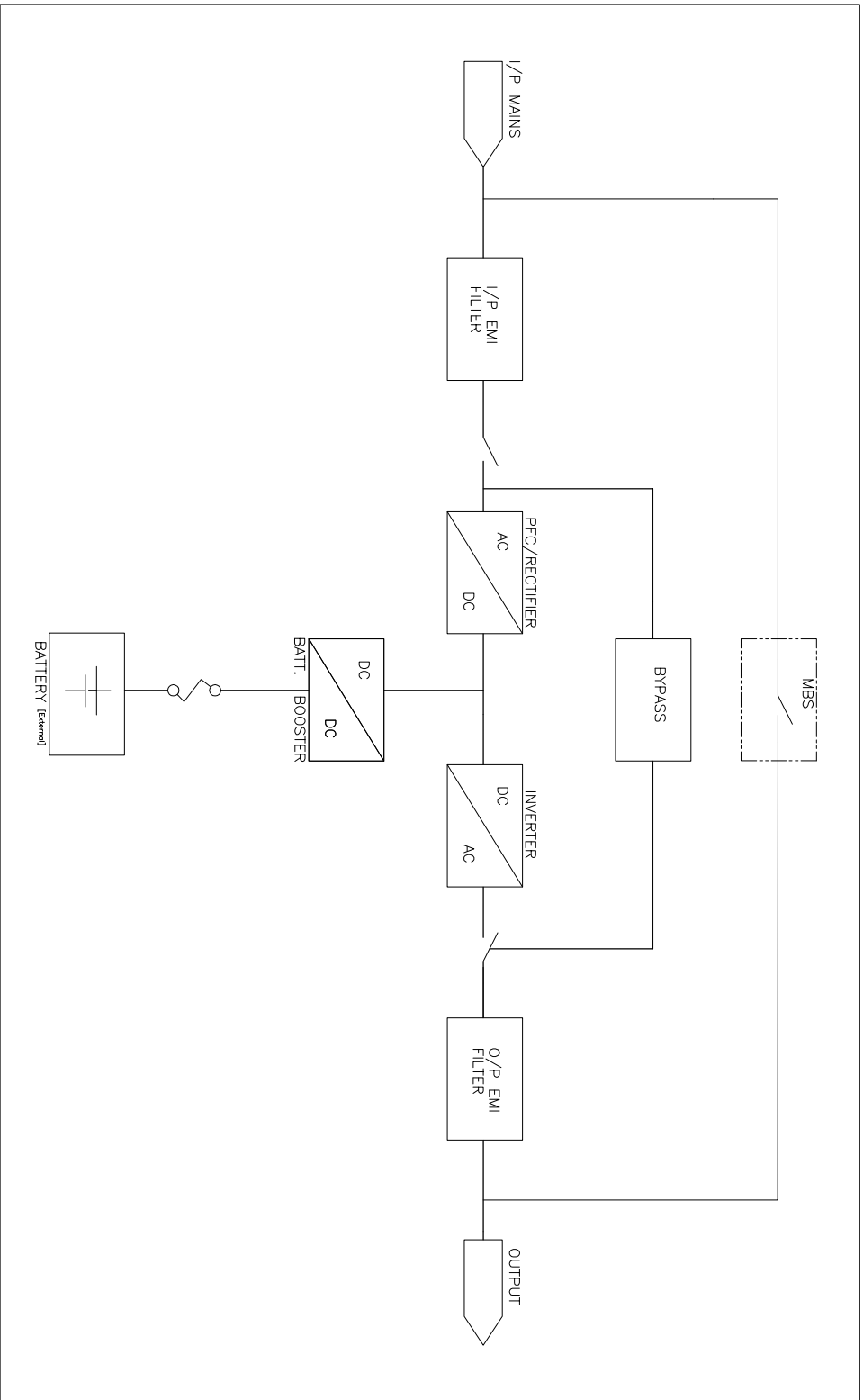


CONNECTION AND FUNCTIONAL DIAGRAM



UPS RATING- 10KVA

MODEL: 9E-IN [XL]

METRIC		EATON CORPORATION		EATON	
DRAWING NO: 9E-IN [XL]		DATE: 10/20/2023		REV: 1	
DESCRIPTION:		EATON CORPORATION - CONFIDENTIAL AND PROPRIETARY INFORMATION		EATON CORPORATION - CONFIDENTIAL AND PROPRIETARY INFORMATION	
DRAWN:	CHEMUR	FIELD:	NAME:	REVISION:	SIZE: A0
REVIEWED:		DATE:	SLD Eaton-9E-IN 10KVA	SCALE:	
DATE:		PROJECT:	(Internal Battery System)	SHEET:	1 OF 1
APPROVED:		DATE:			